

Future Technology Devices International Ltd

USB TO RS485 UART SERIAL CONVERTER PCB

Datasheet



Neither the whole nor any part of the information contained in, or the product described in this manual, may be adapted or reproduced in any material or electronic form without the prior written consent of the copyright holder. This product and its documentation are supplied on an as-is basis and no warranty as to their suitability for any particular purpose is either made or implied. Future Technology Devices International Ltd will not accept any claim for damages howsoever arising as a result of use or failure of this product. Your statutory rights are not affected. This product or any variant of it is not intended for use in any medical appliance, device or system in which the failure of the product might reasonably be expected to result in personal injury. This document provides preliminary information that may be subject to change without notice. No freedom to use patents or other intellectual property rights is implied by the publication of this document. Future Technology Devices International Ltd, Unit1, 2 Seaward Place, Centurion Business Park, Glasgow, G41 1HH, United Kingdom. Scotland Registered Number: SC136640

1 Description

The **USB-RS485-PCB** is a USB to RS485 level serial UART converter PCB incorporating FTDI's FT232RQ USB to Serial UART interface IC device which handles all the USB signalling and protocols. The PCB provides a fast, simple way to connect devices with a RS485 interface to USB.

Each USB-RS485-PCB contains a small internal electronic circuit board, utilising the FT232RQ plus a USB type-A connector. The [FT232R Datasheet](https://ftdichip.com/) is available at <https://ftdichip.com/>. The integrated electronics also include an RS485 transceiver plus Tx and Rx LEDs which give a visual indication of UART traffic.

The PCB is USB powered and USB 2.0 full speed compatible. Each PCB supports a data transfer rate up to 3 Mbaud and supports the FTDIChip-ID™, with a unique USB serial number programmed into the FT232RQ. This feature can be used to create a security or password protected file transfer access using the PCB. Further information and examples on this feature are available at <https://ftdichip.com/> under [FTDIChip-ID Projects](#).

The USB-RS485-PCB requires USB drivers, available free from <https://ftdichip.com/>, which are used to make the FT232RQ on the PCB appear as a virtual COM port (VCP). This then allows the user to communicate with the USB interface via a standard PC serial emulation port (for example TTY). Another FTDI USB driver, the D2XX driver, can also be used with application software to directly access the FT232RQ on the PCB though a DLL. This is illustrated in the Figure 1.1.

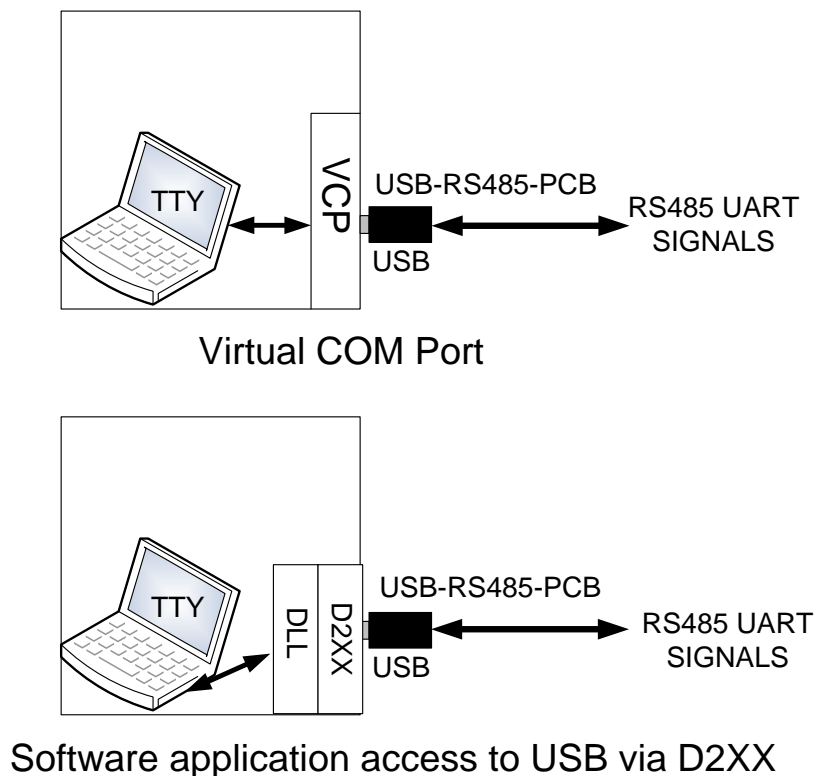


Figure 1.1 Using the USB-RS485-PCB

1.1 Part Number

The following Table 1.1 gives details of the USB-RS485-PCB.

Part Number	Description
USB-RS485-PCB	USB to RS485 level UART PCB

Table 1.1 USB-RS485-PCB Part Number

1.2 Certifications

FTDI USB-RS485-PCB is fully RoHs compliant as well as CE, UKCA and FCC certified.

FCC Part 15, Subpart B, Class B. CISPR 22: 1997+A1: 2000, Class B. ICES-003: 2004, Class B.

ANSI C63.4-2003.



Table of Contents

1	Description	2
1.1	Part Number.....	3
1.2	Certifications.....	3
2	Typical Applications.....	5
2.1	Driver Support	5
2.2	Features.....	5
3	Features of FT232RQ applicable to USB-RS485-PCB	6
4	USB-RS485-PCB Connector Pin Out and Mechanical details	7
4.1	USB-RS485-PCB Signal Descriptions	9
4.2	USB-RS485-PCB Electrical Parameters	10
4.3	Local Echo	10
5	USB-RS485-PCB Circuit Schematic	11
6	Contact Information	12
	Appendix A – PCB EEPROM Configuration	13
	Appendix B – List of Figures and Tables	14
	Appendix C – Revision History	15

2 Typical Applications

- USB to Serial RS485 Level Converter.
- Upgrading Legacy Peripherals to USB.
- Interface Microcontroller UART or I/O to USB.
- Interface FPGA / PLD to USB.
- USB Instrumentation PC interface.
- USB Industrial Control.
- USB password protected file transfers.

2.1 Driver Support

Royalty free VIRTUAL COM PORT (VCP) and D2XX Direct Drivers are available for the following Operating Systems (OS):

- Windows
- Linux
- Mac
- Android (J2xx / D2xx only)

See the following website link for the full driver support list including OS versions and legacy OS.

<https://ftdichip.com/drivers/>

Virtual COM Port (VCP) drivers cause the USB device to appear as an additional COM port available to the PC. Application software can access the USB device in the same way as it would access a standard COM port.

D2XX Direct Drivers allow direct access to the USB device through a DLL. Application software can access the USB device through a series of DLL function calls. The functions available are listed in the [D2XX Programmer's Guide](#) document which is available from the [Documents](#) section of our website.

Please also refer to the [Installation Guides](#) webpage for details on how to install the drivers.

2.2 Features

- USB-RS485-PCB provides a USB to RS485 Serial UART interface.
- Entire USB protocol handled by the electronics on the PCB.
- EIA/TIA-485 interface with low power requirements.
- UART interface support for 7 or 8 data bits, 1 or 2 stop bits and odd / even / mark / space / no parity.
- Data transfer rates up from 300 baud to 3 Mbaud.
- Internal EEPROM with user writeable area.
- FTDI's royalty-free VCP allow for communication as a standard emulated COM port and D2XX 'direct' drivers provide DLL application programming interface.
- Support for FT232RQ FTDIChip-ID™ feature for improved security.
- PCB is USB Powered – no external supply required.
- X-On / X-Off software handshaking
- Low USB bandwidth consumption.
- UHCI / OHCI / EHCI host controller compatible.
- USB 2.0 Full Speed compatible.
- -40°C to +85°C operating temperature range.
- FCC, UKCA, CE and RoHS compliant.
- ESD Protection for RS-485 I/O's
 - ±15kV Human Body Model (HBM)
 - ±15kV EN61000-4-2 Air Gap Discharge
 - ±8kV EN61000-4-2 Contact Discharge

3 Features of FT232RQ applicable to USB-RS485-PCB

The USB-RS485-PCB uses FTDI's FT232RQ USB to serial IC device. This section summarises the key features of the FT232RQ which apply to the USB-RS485-PCB. For further details, and a full features and enhancements description consult the [FT232R Datasheet](#), this is available from <https://ftdichip.com/>.

Internal EEPROM. The internal EEPROM is used to store USB Vendor ID (VID), Product ID (PID), device serial number, product description string and various other USB configuration descriptors. Each USB-RS485-PCB is supplied with the internal EEPROM pre-programmed as described in **Appendix A – PCB EEPROM Configuration**. The internal EEPROM descriptors can be programmed in circuit, over USB without any additional voltage requirement. It can be programmed using the FTDI utility called [FT_PROG](#), which can be downloaded from the FTDI website under [Utilities](#). Additionally, there is a user area of the internal EEPROM available to system designers to allow storing of data (note that this is not modified by FT_PROG).

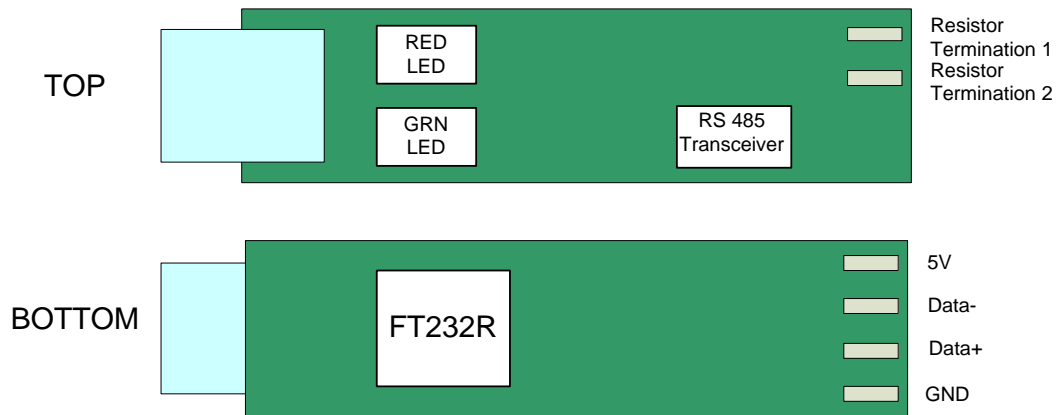
Lower Operating and Suspend Current. The FT232RQ has a low 15mA operating supply current and a very low USB suspend current of approximately 70µA.

Low USB Bandwidth Consumption. The USB interface of the FT232RQ, and therefore the USB-RS485-PCB has been designed to use as little as possible of the total USB bandwidth available from the USB host controller.

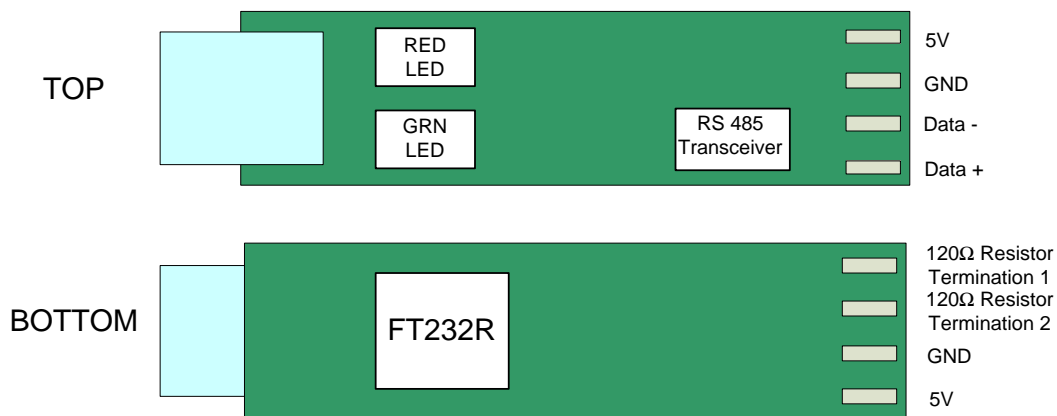
FTDICHIP-ID™. The FT232RQ includes the new FTDICHIP-ID™ security dongle feature. This FTDICHIP-ID™ feature allows a unique number to be burnt into each FT_232RQ during manufacture. This number cannot be reprogrammed. This number is only readable over USB can be used to form the basis of a security dongle which can be used to protect any customer application software being copied. This allows the possibility of using the USB-RS485-PCB as a dongle for software licensing. Further to this, a renewable license scheme can be implemented based on the FTDICHIP-ID™ number when encrypted with other information. This encrypted number can be stored in the user area of the FT232RQ internal EEPROM, and can be decrypted, then compared with the protected FTDICHIP-ID™ to verify that a license is valid. Web based applications can be used to maintain product licensing this way. An application note, [AN232R-02](#), available from FTDI website (<https://ftdichip.com/>) describes this feature.

Extended Operating Temperature Range. The USB-RS485-PCB is capable of operating over an extended temperature range of -40° to +85°C thus allowing it to be used in automotive or industrial applications.

4 USB-RS485-PCB Connector Pin Out and Mechanical details



USB-RS485-PCB Rev 1

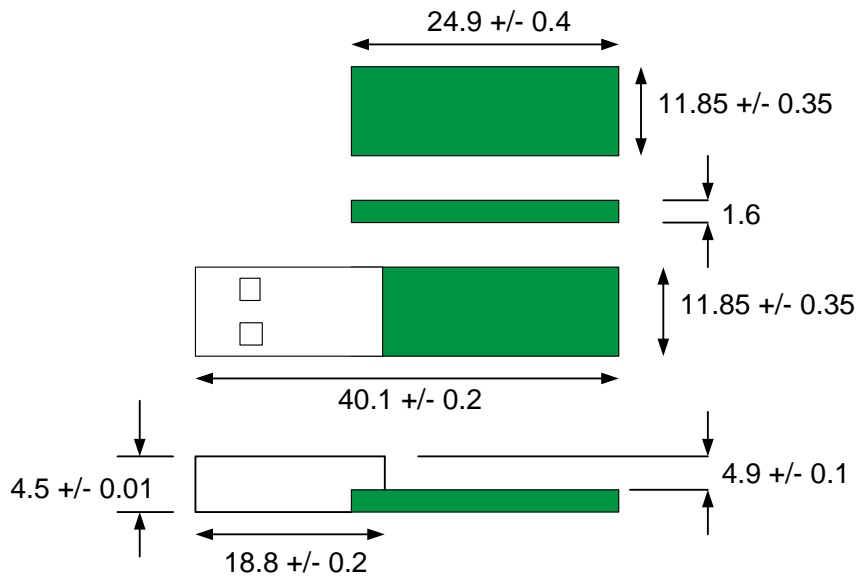


USB-RS485-PCB Rev 2

Figure 4.1 USB-RS485-PCB Pin Out (Top is TOP View, Bottom is BOTTOM View)

The mechanical details of the PCB are shown in the following diagram Figure 4.2

Additional pads were added to the PCB to allow for easier wiring which resulted in a Rev 2 PCB. There were no other changes between Rev 1 and Rev 2.



Dimensions in mm

Figure 4.2 USB-RS485-PCB, Mechanical Details

4.1 USB-RS485-PCB Signal Descriptions

Name	Type	Description
GND	GND	Device ground supply pin.
Terminator 1	Input	Pin 1 of 120R Terminating Resistor. Only Required if the USB-RS485-PCB is the first or last device in a multi-drop RS485 System, to meet RS485 Termination Requirements.
POWER	Output	Power output. Default output is +5V when active, 0V during suspend. If required, contact FTDI Sales Team (sales1@ftdichip.com). Switchable power to external device, 250mA max. OFF during suspend.
Data +	Bi-Direction	Data + Signal
Data -	Bi-Direction	Data - Signal
Terminator 2	Input	Pin 2 of 120R Terminating Resistor. Only Required if the USB-RS485-PCB is the first or last device in a multi-drop RS485 System, to meet RS485 Termination Requirements.

Table 4.1 USB-RS485-PCB Signal Descriptions

Note: In some cases when termination is enabled, unexpected zero bytes can be received at the beginning or end of a message. To resolve this, biasing resistors can be added to the Data + and Data - lines to ensure that the lines go to an idle state when no node is driving data onto the bus.

Typical values for these resistors would be:

- 750 ohms between Data + and +5V (POWER)
- 750 ohms between Data - and ground (GND)

The resistors would be fitted externally to the USB-RS485-PCB as the board does not have footprints for them.

Only one set of biasing resistors should only be used on the bus. They should not be added to the USB-RS485-PCB node if another node on the bus is already providing biasing.

4.2 USB-RS485-PCB Electrical Parameters

Parameter	Description	Minimum	Typical	Maximum	Units	Conditions
VCC_5V	Output Power Voltage	4.25	5.0	5.25	V	The range is dependent on the USB port that the USB-RS485-PCB is connected to.
I _o	Output Power Current	-		250	mA	Must be less than 2.5mA during suspend.
T	Operating Temperature Range	-40		+85	°C	

Table 4.2 USB-RS485-PCB

Parameter	Description	Minimum	Typical	Maximum	Units	Conditions
Receiver Input						
VCM	Common-mode input voltage range	-7		+12	V	
IN	Input Current			1.0	mA	VIN = +12V
				-0.8		VIN = -7V
VTH	Differential Threshold Voltage, VTH	-0.2		+0.2	V	
VIHYST	Input Hysteresis		20		mV	
RIN	Input Resistance, RIN	12	15		kΩ	
Transmitter Output						
VOD	Differential Output Voltage, dVOD	1.5		5	V	With RL = 54Ω. CL = 50pF *

Table 4.4 USB-RS485-PCB I/O Pin Characteristics

* - The 54 ohms is the equivalent of two 120 ohm termination resistors placed on each side of the transmission line and the input impedance of 32 receivers on the line.

Note: The VCC_5V output is switched by a transistor on the USB-RS485-PCB. This transistor will enable the VCC_5V output when the device is enumerated (it will disable the VCC_5V output when in USB suspend mode).

Description	Conditions	Minimum	Typical	Maximum
ESD HBM	RS-485 Inputs and Outputs		±15 kV	
EN61000-4-2ContactDischarge	RS-485 Inputs and Outputs		±8 kV	
EN61000-4-2AirGapDischarge	RS-485 Inputs and Outputs		±15 kV	

Table 4.3 USB-RS485-WE ESD Tolerance

4.3 Local Echo

RS485 systems often have local echo enabled. This means any data transmitted by a device is echoed back to itself.

The USB-RS485-PCB allows for local echo to be enabled/disabled by changing a bit in the FT232RQ EEPROM. If CBUS4 in the EEPROM is set for "PWREN#", local echo is enabled. If CBUS4 in the EEPROM is set for "TXDEN", local echo is disabled.

Users can enable/disable the local echo setting with the [Echo Configuration Utility](#).

If required, other EEPROM settings (including local echo) can also be configured with the [FT_PROG](#) utility.

The default for the local echo is disabled (CBUS4 set for "TXDEN").

6 Contact Information

Head Office – Glasgow, UK

Future Technology Devices International Limited
Unit 1, 2 Seaward Place, Centurion Business Park
Glasgow G41 1HH
United Kingdom
Tel: +44 (0) 141 429 2777
Fax: +44 (0) 141 429 2758

E-mail (Sales) sales1@ftdichip.com
E-mail (Support) support1@ftdichip.com
E-mail (General Enquiries) admin1@ftdichip.com

Branch Office – Tigard, Oregon, USA

Future Technology Devices International Limited
(USA)
7130 SW Fir Loop
Tigard, OR 97223
USA
Tel: +1 (503) 547 0988
Fax: +1 (503) 547 0987

E-Mail (Sales) us.sales@ftdichip.com
E-Mail (Support) us.support@ftdichip.com
E-Mail (General Enquiries) us.admin@ftdichip.com

Branch Office – Taipei, Taiwan

Future Technology Devices International Limited
(Taiwan)
2F, No. 516, Sec. 1, NeiHu Road
Taipei 114
Taiwan, R.O.C.
Tel: +886 (0) 2 8797 1330
Fax: +886 (0) 2 8751 9737

E-mail (Sales) tw.sales1@ftdichip.com
E-mail (Support) tw.support1@ftdichip.com
E-mail (General Enquiries) tw.admin1@ftdichip.com

Branch Office – Shanghai, China

Future Technology Devices International Limited
(China)
Room 1103, No.666 West Huaihai Road,
Shanghai, 200052
China
Tel: +86 21 62351596
Fax: +86 21 62351595

E-mail (Sales) cn.sales@ftdichip.com
E-mail (Support) cn.support@ftdichip.com
E-mail (General Enquiries) cn.admin@ftdichip.com

Web Site

<http://ftdichip.com>

Distributor and Sales Representatives

Please visit the Sales Network page of the [FTDI Web site](#) for the contact details of our distributor(s) and sales representative(s) in your country.

System and equipment manufacturers and designers are responsible to ensure that their systems, and any Future Technology Devices International Ltd (FTDI) devices incorporated in their systems, meet all applicable safety, regulatory and system-level performance requirements. All application-related information in this document (including application descriptions, suggested FTDI devices and other materials) is provided for reference only. While FTDI has taken care to assure it is accurate, this information is subject to customer confirmation, and FTDI disclaims all liability for system designs and for any applications assistance provided by FTDI. Use of FTDI devices in life support and/or safety applications is entirely at the user's risk, and the user agrees to defend, indemnify and hold harmless FTDI from any and all damages, claims, suits or expense resulting from such use. This document is subject to change without notice. No freedom to use patents or other intellectual property rights is implied by the publication of this document. Neither the whole nor any part of the information contained in, or the product described in this document, may be adapted or reproduced in any material or electronic form without the prior written consent of the copyright holder. Future Technology Devices International Ltd, Unit 1, 2 Seaward Place, Centurion Business Park, Glasgow G41 1HH, United Kingdom. Scotland Registered Company Number: SC136640

Appendix A – PCB EEPROM Configuration

Each USB-RS485-PCB is controlled by the FTDI FT232RQ IC. This FT232RQ device contains an EEPROM which contains the USB configuration descriptors for that device. When the PCB is plugged into a PC or a USB reset is performed, the PC will read these descriptors. The default values stored into the internal EEPROM are defined in Table 0.1 Default Internal EEPROM Configuration

Parameter	Value	Notes
USB Vendor ID (VID)	0403h	FTDI default VID (hex)
USB Product ID (PID)	6001h	FTDI default PID (hex)
Serial Number Enabled?	Yes	
Serial Number	See Note	A unique serial number is generated and programmed into the EEPROM during device final test.
Pull down I/O Pins in USB Suspend	Disabled	Enabling this option will make the device pull down on the UART interface lines when the power is shut off (PWREN# is high).
Manufacturer Name	FTDI	
Product Description	See note	USB-RS485-PCB
Max Bus Power Current	90mA	
Power Source	Bus Powered	
Device Type	FT232R	
USB Version	0200	Returns USB 2.0 device description to the host. Note: The device is be a USB 2.0 Full Speed device (12Mb/s) as opposed to a USB 2.0 High Speed device (480Mb/s).
Remote Wake Up	Disabled	
High Current I/Os	Enabled	Enables the high drive level on the UART and CBUS I/O pins.
Load VCP Driver	Enabled	Makes the device load the VCP driver interface for the device.
Invert TXD	Disabled	Signal on this pin becomes TXD# if enable.
Invert RXD	Disabled	Signal on this pin becomes RXD# if enable.
Invert RTS#	Disabled	Signal on this pin becomes RTS if enable.
Invert CTS#	Disabled	Signal on this pin becomes CTS if enable.

Table 0.1 Default Internal EEPROM Configuration

The internal EEPROM on the PCB can be re-programmed over USB using the utility program [FT_PROG](#). Users who do not have their own USB Vendor ID but who would like to use a unique Product ID in their design can apply to FTDI for a free block of unique PIDs. Contact FTDI support for this service.

Appendix B – List of Figures and Tables

List of Figures

Figure 1.1 Using the USB-RS485-PCB.....	2
Figure 4.1 USB-RS485-PCB Pin Out (Top is TOP View, Bottom is BOTTOM View).....	7
Figure 4.2 USB-RS485-PCB, Mechanical Details	8
Figure 5.1 Circuit Schematic of USB-RS485-PCB.	11

List of Tables

Table 1.1 USB-RS485-PCB Part Number	3
Table 4.1 USB-RS485-PCB Signal Descriptions	9
Table 4.2 USB-RS485-PCB	10
Table 4.3 USB-RS485-WE ESD Tolerance.....	10
Table 0.1 Default Internal EEPROM Configuration.....	13

Appendix C – Revision History

Document Title: USB TO RS485 UART SERIAL CONVERTER PCB Datasheet
 Document Reference No.: FT_000120
 Clearance No.: FTDI#80
 Product Page: [Cables](#)
 Document Feedback: [Send Feedback](#)

Revision	Changes	Date
Version Draft	First Draft	January 2009
Version 1.0	First Release	21-01-2009
Version 1.01	Corrected the PCB diagram and TW address	09-02-2009
Version 1.02	Added Rev 1 and Rev 2 mechanical diagrams	10-03-2009
Version 1.1	Edited Figure 4.1 and table 4.1, signals A Data+ and B Data Added section 1.2 USB compliant Logo	29-07-2010
Version 1.2	Removed section 1.2 All diagram/schematic pins now labelled as 'Data +' and 'Data -' Added links to FT_Prog utility which replaces MPROG Added link to echo configuration utility Updated table 4.2 as 5V output is available on standard PCB Added details of external biasing resistors	27-05-2011
Version 1.3	Added FCC, UKCA and CE compliance. Updated part number to FT232RQ. Updated driver support and links	14-07-2023