

**Future Technology Devices International Ltd****USB-COM485-PLUS4**CE FC UK  
CA**Datasheet**

Neither the whole nor any part of the information contained in, or the product described in this manual, may be adapted or reproduced in any material or electronic form without the prior written consent of the copyright holder. This product and its documentation are supplied on an as-is basis and no warranty as to their suitability for any particular purpose is either made or implied. Future Technology Devices International Ltd will not accept any claim for damages howsoever arising as a result of use or failure of this product. Your statutory rights are not affected. This product or any variant of it is not intended for use in any medical appliance, device or system in which the failure of the product might reasonably be expected to result in personal injury. This document provides preliminary information that may be subject to change without notice. No freedom to use patents or other intellectual property rights is implied by the publication of this document. Future Technology Devices International Ltd, Unit1, 2 Seaward Place, Centurion Business Park, Glasgow, G41 1HH, United Kingdom. Scotland Registered Number: SC136640

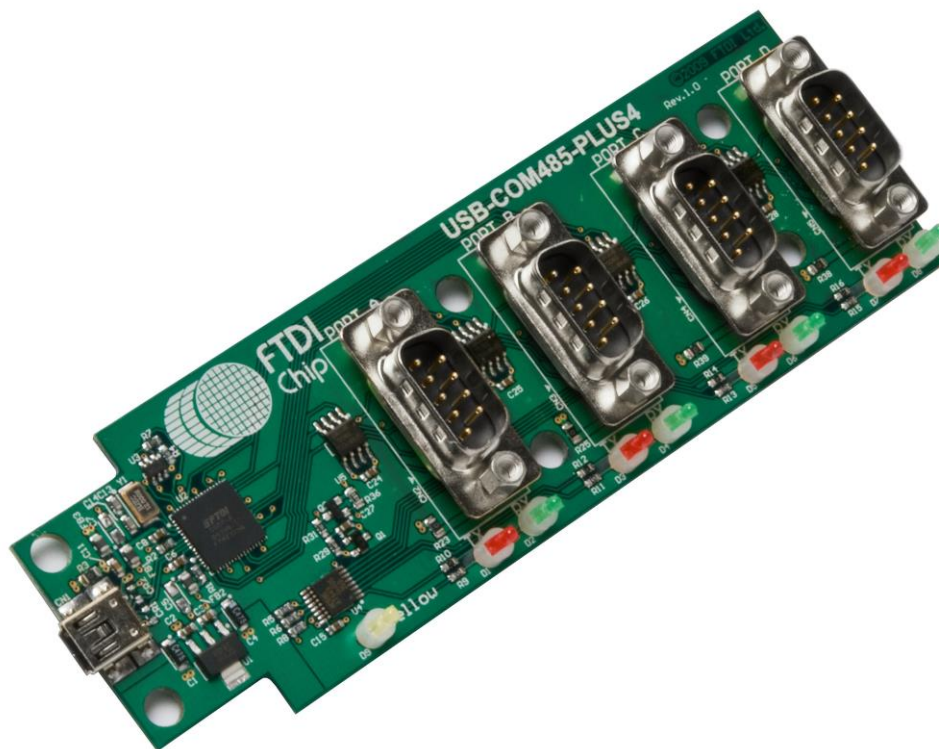
## 1 Introduction

### 1.1 Functional Description

The USB-COM485-PLUS4 is a USB to a quad interface RS485 level serial UART adaptor incorporating FTDI's FT4232H Hi-Speed USB2.0 (480Mb/s) to quad serial UART interface IC device. The FT4232H handles all the USB signalling and protocols. The adaptor provides a fast, simple way to connect devices with an RS485 interface to USB.

USB-COM485-PLUS4 is a USB to a quad-port RS485 adapter.

The integrated electronics of the USB-COM485-PLUS4 utilise the FTDI FT2232H and includes RS485 level shifters plus TXD/RXD LEDs to provide a visual indication of data traffic through the module.



**Figure 1.1 USB-COM485-PLUS4**

The module uses a standard USB mini-B device connector for connection to an upstream host or hub port. RS485-level signals are available on an industry-standard DE-9P connector. The maximum RS485-level data rate is 10Mbps.

The USB-COM485-PLUS4 module requires USB device drivers, available free from <https://ftdichip.com/>, which are used to make the USB-COM485-PLUS4 appear as a Virtual COM Port (VCP). This allows existing serial communications software, such as HyperTerminal, to exchange data through the USB-COM485-PLUS4 to a legacy RS485 peripheral device.

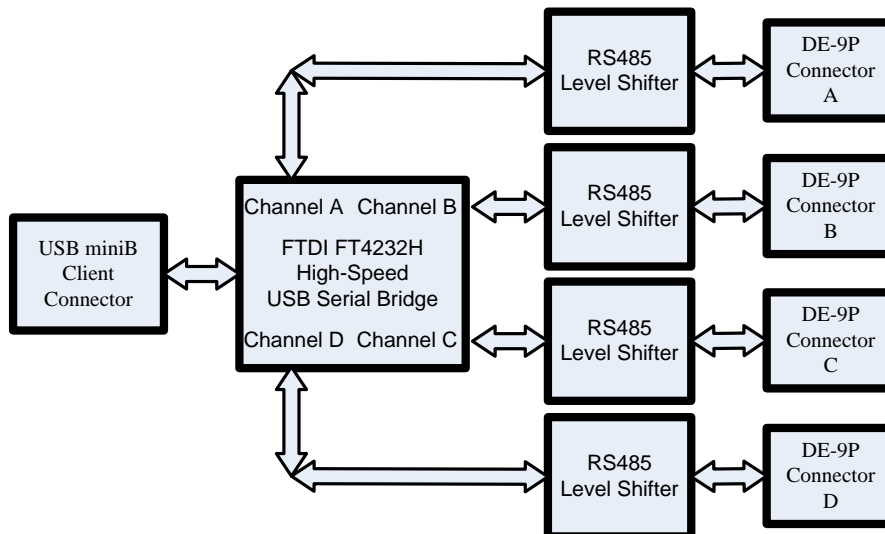
## 1.2 LED Description

The USB-COM485-PLUS4 uses 9 LEDs to indicate a valid link as well as data traffic according to the following table:

LED Colour	Function	Description
Yellow x 1	Power	ON when USB-COM485-PLUS4 is configured and ready
Red x 4	TxD Activity	Flashes when data is transmitted from the USB-COM485-PLUS4 to the attached RS485 device
Green x 4	RxD Activity	Flashes when data is transmitted from the attached RS485 device to the USB-COM485-PLUS4

**Table 1.1 – LED Description**

## 1.3 Block Diagram



**Figure 1.2 USB-COM485-PLUS4 Block Diagram**

### 1.3.1 Block description

#### **USB Mini B Client Connector**

This connector provides the interface for connection to a USB Host or Hub port. The maximum cable length is 5 meters, according to the USB 2.0 specification.

#### **FTDI FT4232H**

FT4232H Hi-Speed USB2.0 (480Mb/s) is a quad serial UART interface IC device. Operating system device drivers are required in order to operate with the FT4232H in order to provide the Virtual COM Port serial functionality.

#### **Quad RS485 Level Shifter**

The RS485 level shifter converts the signals provided by the FT4232H into the voltage levels required by RS485 devices.

#### **DE-9P Connector (Male)**

The DE-9P connectors are configured in an industry standard (TIA/EIA-574) pin-out to provide connection to RS485 peripherals through standard cables. See section 3.1.2

## 1.4 Features

- Adds four RS-485 serial ports by connecting to a USB 2.0 Hi-Speed interface.
- Easy plug & play installation and RS-485 device connection
- Operates with USB 1.1 & 2.0 Host and Hub ports
- Industry Standard FTDI chip set & device drivers for maximum compatibility
- Microsoft Windows® WHQL-certified, Mac OS, Linux and Android device drivers
- Installs as a standard Windows COM ports
- COM port number can be changed to any available COM port number, to support HyperTerminal, or any other serial communications software application running in Windows
- FIFO: 2K byte transmit buffer, 2K byte receive buffer
- RS-485 data signals: Data+, Data-, GND
- Powered by USB port. No external power adapter required. +5V output available.
- Serial port speed up to 10Mbps
- Serial Communication Parameters
  - Parity: None, Even, Odd
  - Data bits: 7, 8
  - Flow control: X-ON/X-OFF, None
- Four DE-9P male connectors
- LEDs indicate USB Enumeration, RxD, TxD for monitoring port status & easy diagnostics
- Operating temperature of -40°C to +85°C
- Echo and non-Echo two modes can be selected.

## 1.5 Performance Figures

Parameter	Performance
USB Interface	480Mbps USB 2.0 High-Speed
RS485 Interface	Standard Windows baud rates (300bps to 921.6Kbps) Custom baud rates (300bps to 10Mbps) through baud rate aliasing. See FTDI Application Note: <a href="#">Configuring FT232R, FT2232 and FT232BM Baud Rates</a>
Max Cable Length	USB = 5m, RS485 =12m (at 10Mbps)

**Table 1.2 - Performance Figures**

Part Number	Description
USB-COM485-PLUS4	USB-COM-Plus Hi-Speed USB to 4-Port RS485 module

**Table 1.3 - Ordering Information**

---

## **Table of Contents**

<b>1</b>	<b>Introduction .....</b>	<b>2</b>
1.1	Functional Description .....	2
1.2	LED Description .....	3
1.3	Block Diagram .....	4
1.3.1	Block description .....	4
1.4	Features .....	5
1.5	Performance Figures .....	5
<b>2</b>	<b>Installation .....</b>	<b>8</b>
2.1	Example Applications and Configurations .....	8
2.1.1	Wiring .....	8
2.2	Driver Support .....	9
2.2.1	Microsoft Windows .....	9
2.2.2	Mac OS, Linux and Android .....	9
<b>3</b>	<b>Connections .....</b>	<b>10</b>
3.1	External Connectors .....	10
3.1.1	USB .....	10
3.1.2	RS485 .....	10
<b>4</b>	<b>Electrical details .....</b>	<b>11</b>
4.1	USB .....	11
4.2	RS485 .....	11
4.3	Power Output .....	11
<b>5</b>	<b>Mechanical Details .....</b>	<b>12</b>
5.1	Module Mechanical Dimensions .....	12
<b>6</b>	<b>Physical Environment Details .....</b>	<b>13</b>
6.1	Storage .....	13
6.2	Operating .....	13
<b>7</b>	<b>Environmental Approvals &amp; Declarations .....</b>	<b>14</b>
7.1	EMI Compatibility .....	14
7.2	Safety .....	14
7.3	Environmental .....	14
7.4	Reliability .....	14
7.4.1	MTTF .....	14
7.5	Import / Export Information .....	15
<b>8</b>	<b>Troubleshooting .....</b>	<b>16</b>



---

<b>8.1</b>	<b>Hardware .....</b>	<b>16</b>
<b>8.2</b>	<b>Device Driver .....</b>	<b>16</b>
<b>9</b>	<b>Contact Information .....</b>	<b>17</b>
	<b>Appendix A – List of Figures and Tables .....</b>	<b>18</b>
	<b>Appendix B - Revision History .....</b>	<b>19</b>

## 2 Installation

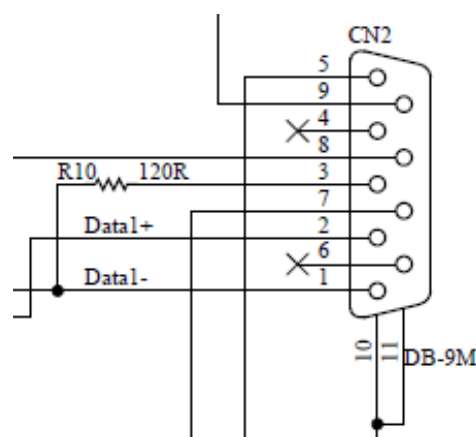
### 2.1 Example Applications and Configurations

#### 2.1.1 Wiring

Insert the A-plug into an available USB Host or Hub port. Insert the mini B-plug into the mini B-receptacle on the USB-COM485-PLUS4.

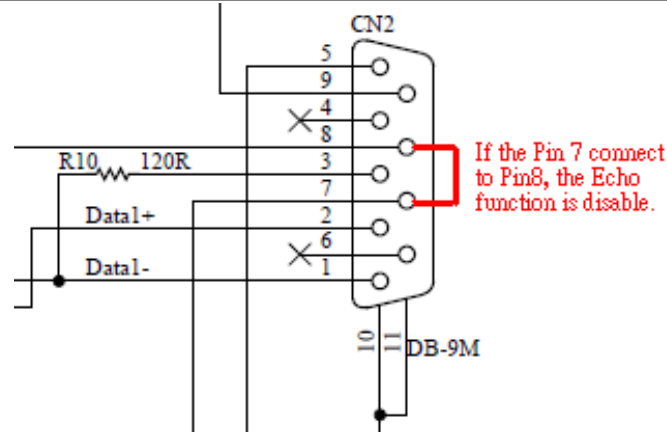
DTE Pin Number	Signal Name	Expected Connect Signal
1	DATA- = Transmit/Receive Data, negative polarity Also Terminator 2	DATA- Pin 2 of 120R Terminating Resistor. Only Required if the USB-COM485-PLUS4 is the first or last device in a multi-drop RS485 System, to meet RS485 Termination Requirements.
2	DATA+ = Transmit/Receive Data, positive polarity	DATA+
3	Terminator 1	Pin 1 of 120R Terminating Resistor. Only Required if the USB-COM485-PLUS4 is the first or last device in a multi-drop RS485 System, to meet RS485 Termination Requirements.
4	N/A	N/A
5	GND = signal ground	GND
6	N/A	N/A
7	echo disable terminal 1	Local echo function control. Connect pin7 and pin 8 can disable the local echo function. The local echo is enabled by default.
8	echo disable terminal 2	Local echo function control. Connect pin7 and pin 8 can disable the local echo function. The local echo is enabled by default.
9	PWR = +5V DC output	PWR

**Table 2.1 – RS485 DTE to DCE connection**



**Figure 2.1 USB-COM485-PLUS4 Termination resistor**





**Figure 2.2 USB-COM485-PLUS4 echo disable**

## 2.2 Driver Support

**Royalty free VIRTUAL COM PORT (VCP) and D2XX Direct Drivers** are available for the following Operating Systems (OS):

- Windows
- Linux
- Mac
- Android (J2xx / D2xx only)

See the following website link for the full driver support list including OS versions and legacy OS.

<https://ftdichip.com/drivers/>.

**Virtual COM Port (VCP)** drivers cause the USB device to appear as an additional COM port available to the PC. Application software can access the USB device in the same way as it would access a standard COM port.

**D2XX Direct Drivers** allow direct access to the USB device through a DLL. Application software can access the USB device through a series of DLL function calls. The functions available are listed in the [D2XX Programmer's Guide](#) document which is available from the [Documents](#) section of our website.

Please also refer to the [Installation Guides](#) webpage for details on how to install the drivers.

### 2.2.1 Microsoft Windows

With the device drivers being Windows Hardware Quality Labs (WHQL) certified, they are also available through download directly from the Microsoft® Windows® Update service. Simply plug the device into the Windows PC and the drivers should load automatically if the PC is connected to the internet. Additional installation instructions can be found on the [Installation Guides](#) page of our website.

### 2.2.2 Mac OS, Linux and Android

Device drivers and FTDI installation guides for Mac OS X, Linux and Android are available for download on the FTDI Chip website. Follow the respective FTDI [Installation Guides](#) for the chosen operating system.

## 3 Connections

### 3.1 External Connectors

#### 3.1.1 USB

The USB-COM485-PLUS4 is a downstream USB 2.0 Device. A standard USB "mini B" receptacle is mounted inside the USB-COM485-PLUS4 to facilitate connection to an upstream USB Host or Hub.

Pin Number	Pin Type	Description
1	Power	VBUS = USB Power provided from upstream USB Host or Hub
2	Bidirectional	D- = USB data signal, negative polarity
3	Bidirectional	D+ = USB data signal, positive polarity
4	ID	No connected
5	Ground	GND = USB signal ground
Shield	Case Ground	Drain = typically connected to the host PC case

**Table 3.1 – USB " mini B" Receptacle Pin-Out**

#### 3.1.2 RS485

The RS485 ports are configured as Data Terminal Equipment (DTE), with a 9-contact D-Sub Pin connector. Pin assignments are according to TIA/EIA-485. In addition, pin9 of DB9 provides +5VDC to an external device with a maximum current draw of 450mA once the USB-COM485-PLUS4 has been enumerated by the system.

Pin Number	Pin Type	Description
1	Input/Output	DATA- Pin 2 of 120R Terminating Resistor. Only Required if the USB-COM485-PLUS4 is the first or last device in a multi-drop RS485 System, to meet RS485 Termination Requirements.
2	Input/Output	DATA+
3	Input	Pin 1 of 120R Terminating Resistor. Only Required if the USB-COM485-PLUS4 is the first or last device in a multi-drop RS485 System, to meet RS485 Termination Requirements.
4	N/A	N/A
5	GND = signal ground	GND
6	N/A	N/A
7	Input	Local echo function control input pin. Connect pin7 and pin 8 can disable the local echo function. The local echo is enabled by default.
8	Output	Local echo function control output pin. Connect pin7 and pin 8 can disable the local echo function. The local echo is enabled by default.
9	PWR = +5V DC output	PWR

**Table 3.2 – DE-9P RS485 Pin-Out**

## 4 Electrical details

### 4.1 USB

Parameter	Description	Minimum	Typical	Maximum	Units	Conditions
USB_VCC	Input Power Voltage*	4.25	5.0*	5.25	V	*Present when USB cable is attached and USB Host or Hub powered.
I <sub>cc</sub>	USB current***		30	50	mA	***Does not include power supplied to external device connected to pin 9

**Table 4.1 - USB Electrical Details**

### 4.2 RS485

Parameter	Description	Minimum	Typical	Maximum	Units	Conditions
V <sub>trans</sub>	Transmitter output voltage swing	2			V	RL = 50R□□CL = 50pF
V <sub>rec</sub>	Receiver input voltage range	-7		+12	V	RL = 50R□□CL = 50pF
ESD HBM	N/A		±15		KV	For all RS-485 Inputs and Outputs pin

**Table 4.2 – RS485 Electrical Details**

### 4.3 Power Output

The USB-COM485-PLUS4 provides +5V DC for an external device that requires power on pin9 of DB9. The maximum allowable current is 500mA, including the circuitry of the USB-COM485-PLUS4 itself. Up to 250mA (total output on all 4 ports) may be used by the external device. The +5V output is only enabled when the USB interface is not in suspend.

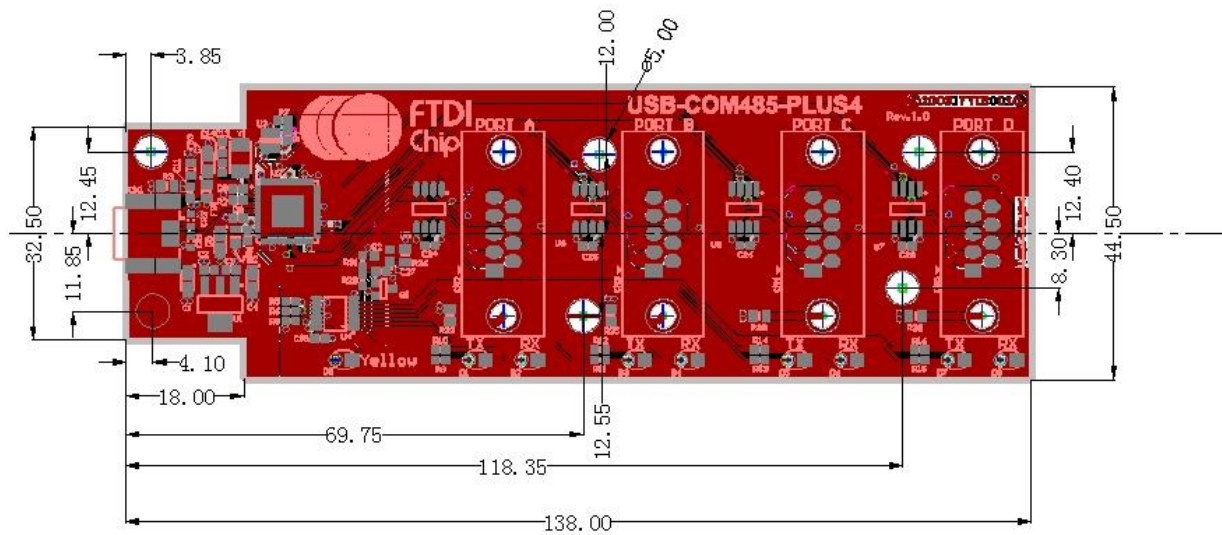
Parameter	Description	Minimum	Typical	Maximum	Units	Conditions
I <sub>o</sub>	Output Power Current	0		250	mA	USB interface is not in SUSPEND. This is the total current available on all 4 ports

**Table 4.3 - Power Output for USB-COM485-PLUS4**

## 5 Mechanical Details

### 5.1 Module Mechanical Dimensions

Dimensions are in mm. The height of the module is dominated by the 4 D-type connectors and stands 12.8mm +/- 1mm. The D-type pins protrude below the PCB by 2.54mm +/-1mm



**Figure 5.1 - USB-COM485-PLUS4 PCB Dimensions**

## 6 Physical Environment Details

### 6.1 Storage

Parameter	Description	Minimum	Typical	Maximum	Units	Conditions
T	Storage Temperature Range	-65		+150	°C	

**Table 6.1 - Storage Temperature**

### 6.2 Operating

Parameter	Description	Minimum	Typical	Maximum	Units	Conditions
T	Operating Temperature Range	-40		+85	°C	5% to 95% RH, non condensing

**Table 6.2 - Operating Temperature**

## 7 Environmental Approvals & Declarations

### 7.1 EMI Compatibility

#### FCC, UKCA and CE

The USB-COM485-PLUS4 has been tested to be compliant with both FCC Part 15 Subpart B and European EMC Directive.



**NOTE:** This is a Class B product. In a domestic environment, this product may cause radio interference, in which case the user may be required to take adequate measures.



**NOTE:** This equipment has been tested and found to comply with the limits for a Class B digital device, pursuant to Part 15 of the FCC Rules. These limits are designed to provide reasonable protection against harmful interference in a residential installation. This equipment generates, uses and can radiate radio frequency energy and, if not installed and used in accordance with the instructions, may cause harmful interference to radio communications. However, there is no guarantee that interference will not occur in a particular installation. If this equipment does cause harmful interference to radio or television reception, which can be determined by turning the equipment off and on, the user is encouraged to try to correct the interference by one or more of the following measures:

- Reorient or relocate the receiving antenna.
- Increase the separation between the equipment and receiver.
- Connect the equipment into an outlet on a circuit different from that to which the receiver is connected.
- Consult the dealer or an experienced radio/TV technician for help.

### 7.2 Safety

The USB-COM485-PLUS4 is defined as Limited Power Supply (LPS) device, with operating voltages under 60VDC.

### 7.3 Environmental

The USB-COM485-PLUS4 is a lead-free device that complies with the following environmental directives: RoHS, WEEE, REACH, PFOS and DecaBDE.

### 7.4 Reliability

The USB-COM485-PLUS4 is designed as a robust USB-Serial module for use in many environments. There are no user-serviceable parts. Any failure will require a replacement of the unit.

#### 7.4.1 MTTF

The Mean Time To Failure is calculated at TBD hours.

## 7.5 Import / Export Information

<b>Import / Export Information</b>	
Country of Origin	China
Harmonized Code	TBD
Product Description	USB to RS485 Development Module, Four COM PortS
USA ECCN	EAR99 - No License Required

**Table 7.1 - Import / Export Information**

## 8 Troubleshooting

### 8.1 Hardware

Cables are the most common sources of trouble with external devices.

Check the following:

- USB cable is properly inserted at both ends
- Computer power is ON
- Computer is not in Sleep or Standby
- If a USB Hub is used, be sure it is set for "Self-Powered" operation
- If a USB Hub is used, be sure all cables are properly inserted
- If all the above are OK, the Yellow LED should be lit, indicating the device has been recognized by the USB subsystem.

RS485 cables – check the following:

- Check for specific handshake requirements of your RS485 peripheral.
- Because there is not handshake signals, ensure the application is set to "No Hardware Handshake", or equivalent.
- Test the port with a loop-back connector. Connect DATA+ to DATA+, DATA- to DATA-. Use a simple terminal program to check that data is transmitted and received.

### 8.2 Device Driver

Ensure the latest device driver is in use. See <https://ftdichip.com/>

If other devices with FTDI chips are installed in the system, check with all manufacturers of these devices for the latest device drivers.

See the FTDI installation guides for additional details: <https://ftdichip.com/document/installation-guides/>

Common Windows Device Driver Troubles:

- **DEVICE TIMES OUT:** The default settings of the device driver assume typical data transfers of hundreds to thousands or more bytes at a given time. Some applications, such as a GPS device, only send data in short packets, often only a few bytes. If this is the case, it may be necessary to adjust the driver buffer size and/or latency timer to smaller values. These values can be adjusted through the Advanced driver options as noted in Figure 2.13. The buffer size can be reduced to 64 bytes. The latency timer can be set as low as 2ms. A setting of 1ms will cause unnecessary USB traffic and could adversely affect data transmission.
- **ERRATIC MOUSE POINTER:** The device driver defaults to query an attached device to find out whether it is a mouse or modem, consistent with native COM port operation. Some RS485 peripherals constantly send short packets of data, causing the host system to "think" a mouse or modem has been attached. These short packets will interfere with normal mouse operation causing the pointer to jump around the screen. If this happens, disconnect the RS485 device and *uncheck the Serial Enumerator* option, also found on the Advanced driver options screen in Figure 2.13.
- **COM PORT IN USE:** Windows keeps track of all COM port assignments. If multiple FTDIChip products have been connected to a single system, the COM port number will increase, even if the other devices are not attached. If the higher COM port assignments are not acceptable for the application, known unused COM port numbers should be uninstalled according to the FTDI installation guide: <https://ftdichip.com/document/installation-guides/>



## 9 Contact Information

### Head Office – Glasgow, UK

Future Technology Devices International Limited  
Unit 1, 2 Seaward Place, Centurion Business Park  
Glasgow G41 1HH  
United Kingdom  
Tel: +44 (0) 141 429 2777  
Fax: +44 (0) 141 429 2758

E-mail (Sales) [sales1@ftdichip.com](mailto:sales1@ftdichip.com)  
E-mail (Support) [support1@ftdichip.com](mailto:support1@ftdichip.com)  
E-mail (General Enquiries) [admin1@ftdichip.com](mailto:admin1@ftdichip.com)

### Branch Office – Tigard, Oregon, USA

Future Technology Devices International Limited (USA)  
7130 SW Fir Loop  
Tigard, OR 97223  
USA  
Tel: +1 (503) 547 0988  
Fax: +1 (503) 547 0987

E-Mail (Sales) [us.sales@ftdichip.com](mailto:us.sales@ftdichip.com)  
E-Mail (Support) [us.support@ftdichip.com](mailto:us.support@ftdichip.com)  
E-Mail (General Enquiries) [us.admin@ftdichip.com](mailto:us.admin@ftdichip.com)

### Branch Office – Taipei, Taiwan

Future Technology Devices International Limited (Taiwan)  
2F, No. 516, Sec. 1, NeiHu Road  
Taipei 114  
Taiwan, R.O.C.  
Tel: +886 (0) 2 8797 1330  
Fax: +886 (0) 2 8751 9737

E-mail (Sales) [tw.sales1@ftdichip.com](mailto:tw.sales1@ftdichip.com)  
E-mail (Support) [tw.support1@ftdichip.com](mailto:tw.support1@ftdichip.com)  
E-mail (General Enquiries) [tw.admin1@ftdichip.com](mailto:tw.admin1@ftdichip.com)

### Branch Office – Shanghai, China

Future Technology Devices International Limited (China)  
Room 1103, No.666 West Huaihai Road,  
Shanghai, 200052  
China  
Tel: +86 21 62351596  
Fax: +86 21 62351595

E-mail (Sales) [cn.sales@ftdichip.com](mailto:cn.sales@ftdichip.com)  
E-mail (Support) [cn.support@ftdichip.com](mailto:cn.support@ftdichip.com)  
E-mail (General Enquiries) [cn.admin@ftdichip.com](mailto:cn.admin@ftdichip.com)

### Web Site

<http://ftdichip.com>

### Distributor and Sales Representatives

Please visit the Sales Network page of the FTDI Web site for the contact details of our distributor(s) and sales representative(s) in your country.

System and equipment manufacturers and designers are responsible to ensure that their systems, and any Future Technology Devices International Ltd (FTDI) devices incorporated in their systems, meet all applicable safety, regulatory and system-level performance requirements. All application-related information in this document (including application descriptions, suggested FTDI devices and other materials) is provided for reference only. While FTDI has taken care to assure it is accurate, this information is subject to customer confirmation, and FTDI disclaims all liability for system designs and for any applications assistance provided by FTDI. Use of FTDI devices in life support and/or safety applications is entirely at the user's risk, and the user agrees to defend, indemnify and hold harmless FTDI from any and all damages, claims, suits or expense resulting from such use. This document is subject to change without notice. No freedom to use patents or other intellectual property rights is implied by the publication of this document. Neither the whole nor any part of the information contained in, or the product described in this document, may be adapted or reproduced in any material or electronic form without the prior written consent of the copyright holder. Future Technology Devices International Ltd, Unit 1, 2 Seaward Place, Centurion Business Park, Glasgow G41 1HH, United Kingdom. Scotland Registered Company Number: SC136640

---

## **Appendix A – List of Figures and Tables**

### **List of Figures:**

Figure 1.1 USB-COM485-PLUS4 .....	2
Figure 1.2 USB-COM485-PLUS4 Block Diagram.....	4
Figure 2.1 USB-COM485-PLUS4 Termination resistor.....	8
Figure 2.2 USB-COM485-PLUS4 echo disable.....	9
Figure 5.1 - USB-COM485-PLUS4 PCB Dimensions .....	12

### **List of Tables:**

Table 1.1 – LED Description .....	3
Table 1.2 - Performance Figures .....	5
Table 1.3 - Ordering Information .....	5
Table 2.1 – RS485 DTE to DCE connection .....	8
Table 3.1 – USB " mini B" Receptacle Pin-Out.....	10
Table 3.2 – DE-9P RS485 Pin-Out .....	10
Table 4.1 - USB Electrical Details .....	11
Table 4.2 – RS485 Electrical Details .....	11
Table 4.3 - Power Output for USB-COM485-PLUS4 .....	11
Table 6.1 - Storage Temperature .....	13
Table 6.2 - Operating Temperature .....	13
Table 7.1 - Import / Export Information .....	15

## Appendix B - Revision History

Document Title: USB-COM485-PLUS4 Datasheet  
Document Reference No.: FT\_000153  
Clearance No.: FTDI# 108  
Product Page: [Modules](#)  
Document Feedback: [Send Feedback](#)

Revision	Changes	Date
Version 1.0	First Release	14-09-2009
Version 1.1	Modified the description of Echo function	24-01-2010
Version 1.2	Edited Section 1.3.1, Removed the statement "A standard "A to B" cable is provided"	12-04-2010
Version 1.3	Added UKCA compliance and logo. Updated driver section and links.	18-07-2023