



# **Future Technology Devices International Ltd.**

## **TN\_123 FT245BM/BL/BQ Errata Technical Note**

**Document Reference No.: FT\_000271**

**Version 1.0**

**Issue Date: 2010-11-19**

The intention of this errata technical note is to give a detailed description of any known functional or electrical issues with the FTDI FT245BL/BQ/BM devices.  
The current revision of the FT245BL is **revision A, released Jan 2005**

### **Future Technology Devices International Limited (FTDI)**

Unit1, 2 Seaward Place, Centurion Business Park, Glasgow G41 1HH United Kingdom

Tel.: +44 (0) 141 429 2777 Fax: + 44 (0) 141 429 2758

E-Mail (Support): [support1@ftdichip.com](mailto:support1@ftdichip.com) Web: <http://www.ftdichip.com>

Copyright © 2010 Future Technology Devices International Limited

---

## TABLE OF CONTENTS

<b>1</b>	<b>FT245B Revision.....</b>	<b>2</b>
<b>2</b>	<b>Errata History Table – Functional Problems.....</b>	<b>3</b>
2.1	Errata History Table – Electrical and Timing Specification Deviations. ....	3
<b>3</b>	<b>Functional Problems of FT245BM/BL/BQ .....</b>	<b>4</b>
3.1	First Revision.....	4
3.1.1	BitBang Mode variable Pulse Width .....	4
<b>4</b>	<b>Electrical and Timing specification deviations of FT245B .....</b>	<b>5</b>
4.1	First Revision.....	5
<b>5</b>	<b>FT245B Package Markings.....</b>	<b>6</b>
<b>6</b>	<b>Contact Information.....</b>	<b>7</b>
	<b>Appendix C – Revision History.....</b>	<b>9</b>

## 1 FT245B Revision

FT245B part numbers are listed in Table 1. The letter at the end of date code identifies the device revision.

Part Number	Package
FT245BM	32 Pin LQFP
FT245BL	32 Pin LQFP
FT245BQ	32 Pin QFN

**Table 1 FT245B Part Numbers**

This errata technical note covers the revisions of FT245B listed in Table 2

Part Number	Revision	Notes
FT245BM	1	First device revision has no number after the part number
FT245BM	2	Second Device revision has a -1 after the part number
FT245BL FT245BQ	1	First device revision has no number after the part number

**Table 2 FT245B Revisions**

## 2 Errata History Table – Functional Problems

Functional Problem	Short description	Errata occurs in device revision
FT245BM/BQ/BL	Bitbang pulse width not stable	-, -1

### 2.1 Errata History Table – Electrical and Timing Specification Deviations.

Deviations	Short description	Errata occurs in device revision

### 3 Functional Problems of FT245BM/BL/BQ

#### 3.1 First Revision

##### 3.1.1 BitBang Mode variable Pulse Width

**Introduction:**

BitBang is a mode the device may be put into to allow free running data to be clocked in/out of the device without any control bits.

**Problem:**

The output may be clocked out at different speeds to allow for different pulse widths. However this clocking stage is not synchronized with the incoming data and can result in the pulse widths varying unexpectedly on the output.

**Workaround:**

Set the clock divisor to 1 (baud rate = 3,000,000) and pad the data field with extra 1's or 0's to achieve the required pulse width for each bit.

**Package specific:**

The effected packages are listed in Table 3

Package	Applicable (Yes/No)
FT245BM	Y
FT245BL	Y
FT245BQ	Y

**Table 3**

---

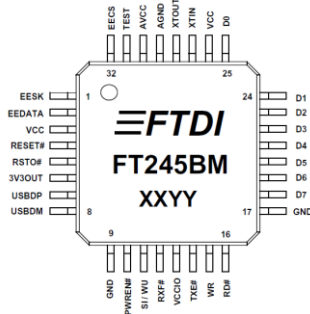
## **4 Electrical and Timing specification deviations of FT245B**

### **4.1 First Revision**

There are no known electrical or timing problems with any revision of silicon.

## 5 FT245B Package Markings

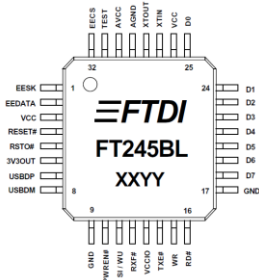
FT245BM is available in a non-RoHS Compliant package, 32 pin LQFP. An example of the markings on the package is shown in Figure 3-1.



Note that there are two date code formats used - XYY = Date Code where XX = 2 digit year number, YY = 2 digit week number; or XYY-N where X = 1 digit year. Number, YY = 2 digit week number, and -N is an integer.

Figure 5-1 Package Markings – FT245BM

FT245B is available in two RoHS Compliant packages, 32 pin LQFP and 32 pin QFN. An example of the markings on each package is shown in Figure 5-2.



Note that there are two date code formats used - XYY = Date Code where XX = 2 digit year number, YY = 2 digit week number; or XYY-N where X = 1 digit year. Number, YY = 2 digit week number, and -N is an integer.



Figure 5-2 Package Markings – FT245BL/FT245BQ

## 6 Contact Information

### Head Office – Glasgow, UK

Future Technology Devices International Limited  
Unit 1, 2 Seaward Place, Centurion Business Park  
Glasgow G41 1HH  
United Kingdom

Tel: +44 (0) 141 429 2777  
Fax: +44 (0) 141 429 2758

E-mail (Sales) [sales1@ftdichip.com](mailto:sales1@ftdichip.com)  
E-mail (Support) [support1@ftdichip.com](mailto:support1@ftdichip.com)  
E-mail (General Enquiries) [admin1@ftdichip.com](mailto:admin1@ftdichip.com)  
Web Site URL <http://www.ftdichip.com>  
Web Shop URL <http://www.ftdichip.com>

### Branch Office – Taipei, Taiwan

Future Technology Devices International Limited (Taiwan)  
2F, No 516, Sec. 1 NeiHu Road  
Taipei 114  
Taiwan, R.O.C.  
Tel: +886 (0) 2 8797 1330  
Fax: +886 (0) 2 8751 9737

E-mail (Sales) [tw.sales1@ftdichip.com](mailto:tw.sales1@ftdichip.com)  
E-mail (Support) [tw.support1@ftdichip.com](mailto:tw.support1@ftdichip.com)  
E-mail (General Enquiries) [tw.admin1@ftdichip.com](mailto:tw.admin1@ftdichip.com)  
Web Site URL <http://www.ftdichip.com>

### Branch Office – Hillsboro, Oregon, USA

Future Technology Devices International Limited (USA)  
7235 NW Evergreen Parkway, Suite 600  
Hillsboro, OR 97123-5803  
USA  
Tel: +1 (503) 547 0988  
Fax: +1 (503) 547 0987

E-Mail (Sales) [us.sales@ftdichip.com](mailto:us.sales@ftdichip.com)  
E-Mail (Support) [us.support@ftdichip.com](mailto:us.support@ftdichip.com)  
E-Mail (General Enquiries) [us.admin@ftdichip.com](mailto:us.admin@ftdichip.com)  
Web Site URL <http://www.ftdichip.com>

### Branch Office – Shanghai, China

Future Technology Devices International Limited (China)  
Room 408, 317 Xianxia Road,  
ChangNing District,  
ShangHai, China

Tel: +86 (21) 62351596  
Fax: +86(21) 62351595

E-Mail (Sales): [cn.sales@ftdichip.com](mailto:cn.sales@ftdichip.com)  
E-Mail (Support): [cn.support@ftdichip.com](mailto:cn.support@ftdichip.com)  
E-Mail (General Enquiries): [cn.admin1@ftdichip.com](mailto:cn.admin1@ftdichip.com)  
Web Site URL: <http://www.ftdichip.com>



---

**Distributor and Sales Representatives**

Please visit the Sales Network page of the FTDI Web site for the contact details of our distributor(s) and sales representative(s) in your country.

Neither the whole nor any part of the information contained in, or the product described in this manual, may be adapted or reproduced in any material or electronic form without the prior written consent of the copyright holder. This product and its documentation are supplied on an as-is basis and no warranty as to their suitability for any particular purpose is either made or implied. Future Technology Devices International Ltd will not accept any claim for damages howsoever arising as a result of use or failure of this product. Your statutory rights are not affected. This product or any variant of it is not intended for use in any medical appliance, device or system in which the failure of the product might reasonably be expected to result in personal injury. This document provides preliminary information that may be subject to change without notice. No freedom to use patents or other intellectual property rights is implied by the publication of this document. Future Technology Devices International Ltd, Unit 1, 2 Seaward Place, Centurion Business Park, Glasgow G41 1HH United Kingdom. Scotland Registered Number: SC136640

## Appendix C – Revision History

<b>Version Draft</b>	First Draft	04/05/2010
<b>Version 1.0</b>	First Release	19/11/2010