



# **Future Technology Devices International Ltd**

## **USB to RS232 Serial Converter Range of Cables**

CE FC

## **Datasheet**

**Document Reference No.: FT\_000077**

**Version 1.2**

**Issue Date: 2009-02-11**

**Future Technology Devices International Limited (FTDI)**

Unit1, 2 Seaward Place, Centurion Business Park, Glasgow G41 1HH United Kingdom

Tel.: +44 (0) 141 429 2777 Fax: + 44 (0) 141 429 2758

E-Mail (Support): [support1@ftdichip.com](mailto:support1@ftdichip.com) Web: <http://www.ftdichip.com>

Copyright © 2009 Future Technology Devices International Limited

Neither the whole nor any part of the information contained in, or the product described in this manual, may be adapted or reproduced in any material or electronic form without the prior written consent of the copyright holder. This product and its documentation are supplied on an as-is basis and no warranty as to their suitability for any particular purpose is either made or implied. Future Technology Devices International Ltd will not accept any claim for damages howsoever arising as a result of use or failure of this product. Your statutory rights are not affected. This product or any variant of it is not intended for use in any medical appliance, device or system in which the failure of the product might reasonably be expected to result in personal injury. This document provides preliminary information that may be subject to change without notice. No freedom to use patents or other intellectual property rights is implied by the publication of this document. . Future Technology Devices International Ltd, Unit1, 2 Seaward Place, Centurion Business Park, Glasgow, G41 1HH, United Kingdom. Scotland Registered Number: SC136640

## 1 Description

The **USB\_RS232** cables are a family of USB to RS232 levels serial UART converter cables incorporating FTDI's FT232RQ USB to serial UART interface IC device which handles all the USB signalling and protocols. The cables provide a fast, simple way to connect devices with a RS232 level serial UART interface to USB.

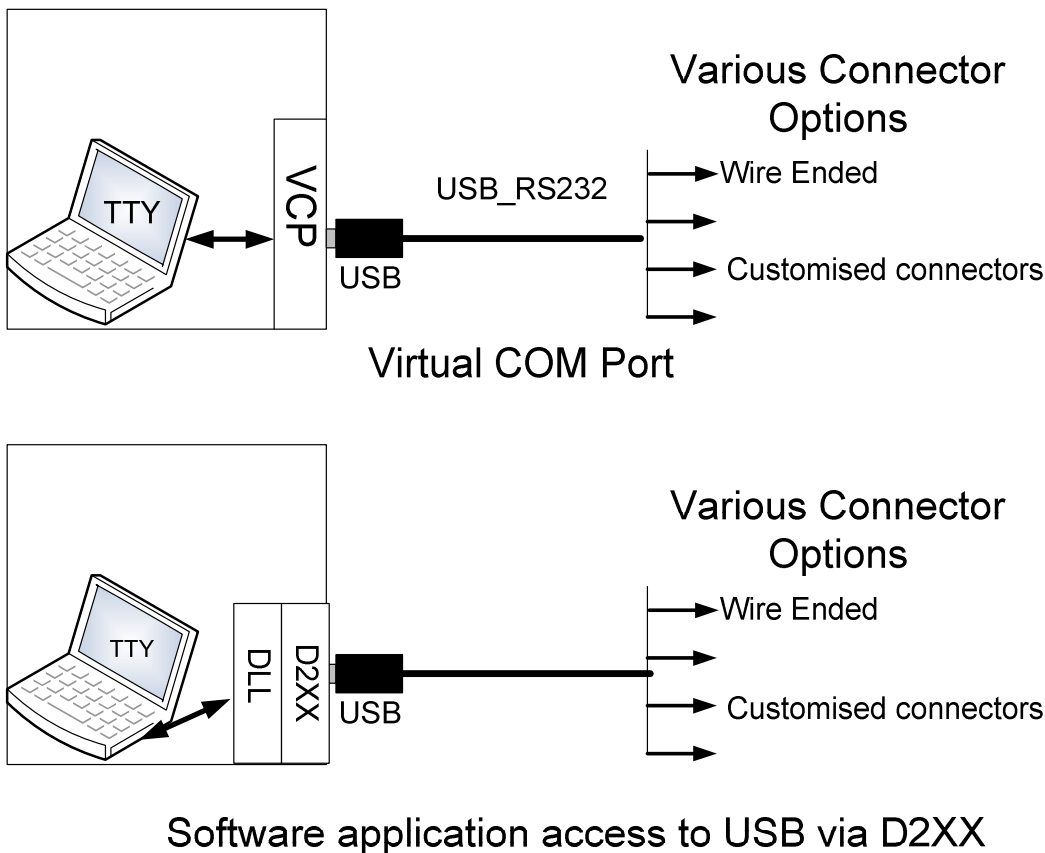
Each USB-RS232 cable contains a small internal electronic circuit board, utilising the FT232R, which is encapsulated into the USB connector end of the cable. The FT232R datasheet, [DS\\_FT232R](http://www.ftdichip.com), is available at <http://www.ftdichip.com>. The integrated electronics also include the RS232 level shifter plus Tx and Rx LEDs which give a visual indication of traffic on the cable (if transparent USB connector specified).

The other end of the cable is bare, tinned wire ended connections by default, but can be customised using different connectors to support various applications.

Cables are FCC, CE, RoHS compliant.

The USB side of the cable is USB powered and USB 2.0 full speed compatible. Each cable is 1.8m long and supports a data transfer rate up to 1 Mbaud. Each cable supports the FTDIChip-ID™, with a unique USB serial number programmed into the FT232R. This feature can be used to create a security or password protected file transfer access using the cable. Further information and examples on this feature are available at <http://www.ftdichip.com> under [FTDIChip-ID Projects](#).

The USB-RS232 cables require USB drivers, available free from <http://www.ftdichip.com>, which are used to make the FT232R in the cable appear as a virtual COM port (VCP). This then allows the user to communicate with the USB interface via a standard PC serial emulation port (for example TTY). Another FTDI USB driver, the D2XX driver, can also be used with application software to directly access the FT232R on the cable through a DLL. This is illustrated in the Figure 1.1



**Figure 1.1 Using the USB-RS232 Cable**

## 2 Cable Part Numbers

The following

Table 2.1 gives details of the available USB-RS232 cables.

Part Number	Description	End Connector*	Cable details
USB-RS232-WE-1800-TT-0.0	<p><b>USB</b> to UART cable with <b>RS232</b> level UART signals.</p> <p>Transparent cable, Transparent USB connector</p> <p>0.0 = RED wire is 0V</p>	Wire Ended (no connector)	<p><b>1.8m</b> cable,6 core, UL2464 24 AWG, diam=5mm</p>
* USB-RS232-CC-LLLL-CU-PWR	<p><b>USB</b> to UART cable with <b>RS232</b> level UART signals.</p> <p><b>C</b> = cable colour (<b>B</b> black or <b>T</b> transparent),</p> <p><b>U</b> = USB connector colour (<b>B</b> black or <b>T</b> transparent)</p> <p><b>PWR</b> = power supply output on red wire. 0.0 = 0V, 3.3=3.3V,5.0=5V)</p>	<b>CU</b> = Connector description.	<b>LLLL = Length of cable.</b>

**Table 2.1 USB-RS232 Cables Descriptions and Part Numbers**

\* FTDI supports customised end connector designs. For more information, please contact FTDI Sales Team (sales1@ftdichip.com)

### 2.1 Certifications

FTDI USB-RS232 range of cables are fully RoHs compliant as well as CE and FCC certified.



---

## Table of Contents

<b>1</b>	<b>Description .....</b>	<b>1</b>
<b>2</b>	<b>Cable Part Numbers.....</b>	<b>2</b>
2.1	Certifications.....	2
<b>3</b>	<b>Typical Applications.....</b>	<b>4</b>
3.1	Driver Support .....	4
3.2	Features.....	5
<b>4</b>	<b>Features of FT232R applicable to USB-RS232 Cables.....</b>	<b>6</b>
<b>5</b>	<b>USB-RS232-WE-LLLL-CU.....</b>	<b>7</b>
5.1	USB-RS232-WE Connections and Mechanical Details.....	7
5.2	USB-RS232-WE Cable Signal Descriptions.....	8
5.3	USB-RS232-WE Electrical Parameters .....	8
<b>6</b>	<b>Cable PCB Circuit Schematic .....</b>	<b>10</b>
<b>7</b>	<b>Contact Information .....</b>	<b>11</b>
	<b>Appendix A - Cable EEPROM Configuration.....</b>	<b>12</b>
	<b>Appendix B - List of Figures and Tables.....</b>	<b>13</b>
	<b>Appendix C - Revision History .....</b>	<b>14</b>

### 3 Typical Applications

- USB to serial RS232 level converter.
- Upgrading legacy peripherals to USB.
- Interface Microcontroller UART or I/O to USB.
- Interface FPGA or PLD to USB.
- USB Instrumentation PC interface.
- USB industrial control.
- USB password protected file transfers.

#### 3.1 Driver Support

##### Royalty free VIRTUAL COM PORT (VCP) DRIVERS for...

- Windows 98, 98SE, ME, 2000, Server 2003, XP and Server 2008
- Windows XP and XP 64-bit
- Windows Vista and Vista 64-bit
- Windows XP Embedded
- Windows CE 4.2, 5.0 and 6.0
- Mac OS 8/9, OS-X
- Linux 2.4 and greater

##### Royalty free D2XX *Direct Drivers* (USB Drivers + DLL S/W Interface)

- Windows 98, 98SE, ME, 2000, Server 2003, XP and Server 2008
- Windows XP and XP 64-bit
- Windows Vista and Vista 64-bit
- Windows XP Embedded
- Windows CE 4.2, 5.0 and 6.0
- Linux 2.4 and greater
- Mac OS-X

The drivers listed above are all available to download for free from [www.ftdichip.com](http://www.ftdichip.com). Various 3rd Party Drivers are also available for other operating systems - see [www.ftdichip.com](http://www.ftdichip.com) for details.

---

## 3.2 Features

- USB-RS232 converter cable provides a USB to RS232 serial interface with customised end connectors.
- Entire USB protocol handled by the electronics in the cable USB.
- EIA/TIA-232 and V.28/V.24 communication interface with low power requirements.
- UART interface support for 7 or 8 data bits, 1 or 2 stop bits and odd / even / mark / space / no parity.
- Internal EEPROM with user writeable area.
- FTDI's royalty-free VCP allow for communication as a standard emulated COM port and D2XX 'direct' drivers provide DLL application programming interface.
- Visual indication of Tx and Rx traffic via LEDs in the transparent USB connector.
- Fully assisted hardware (RTS#/CTS#) or X-On / X-Off software handshaking.
- Data transfer rates from 300 baud to 1 Mbaud.
- Support for FT232R FTDIChip-ID™ feature for improved security.
- Low USB bandwidth consumption.
- UHCI / OHCI / EHCI host controller compatible.
- USB 2.0 Full Speed compatible.
- -40°C to +85°C operating temperature range.
- Cable length is 1.80m (6 feet).
- ESD Protection for RS-232 I/O's
  - ±15kV Human Body Model (HBM)
  - ±15kV EN61000-4-2 Air Gap Discharge
  - ±8kV EN61000-4-2 Contact Discharge
- FCC and CE compliant.
- Custom versions available on request (subject to MOQ).

---

## 4 Features of FT232R applicable to USB-RS232 Cables

The USB-RS232 cables use FTDI's FT232RQ USB to serial UART IC device. This section summarises the key features of the FT232RQ which apply to the USB-RS232 USB to serial RS232 converter cables. For further details, and a full features and enhancements description consult the FT232R datasheet. This is available from [www.ftdichip.com](http://www.ftdichip.com).

**Internal EEPROM.** The internal EEPROM in each cable is used to store USB Vendor ID (VID), Product ID (PID), device serial number, product description string and various other USB configuration descriptors. Each cable is supplied with the internal EEPROM pre-programmed as described in **Appendix A - Cable EEPROM Configuration**. The internal EEPROM descriptors can be programmed in circuit, over USB without any additional voltage requirement. It can be programmed using the FTDI utility software called MPROG, which can be downloaded from FTDI Utilities on the FTDI website ([www.ftdichip.com](http://www.ftdichip.com)). Additionally, there is a user area of the internal EEPROM available to system designers to allow storing of data (note that this is not modified by MPROG).

**Lower Operating and Suspend Current.** The FT232R has a low 15mA operating supply current and a very low USB suspend current of approximately 70µA. (Note that during suspend mode, the current drawn by any customised cable application which uses the USB supply, should not exceed 2.5mA to remain USB compliant)

**Low USB Bandwidth Consumption.** The USB interface of the FT232R, and therefore the USB-RS232 cables has been designed to use as little as possible of the total USB bandwidth available from the USB host controller.

**UART Pin Signal Inversion.** The sense of each of the UART signals can be individually inverted by configuring options in the internal EEPROM. For example CTS# (active low) can be changed to CTS (active high), or TXD can be changed to TXD#.

**FTDICHIP-ID™.** The FT232R includes the new FTDICHIP-ID™ security dongle feature. This FTDICHIP-ID™ feature allows a unique number to be burnt into each cable during manufacture. This number cannot be reprogrammed. This number is only readable over USB can be used to form the basis of a security dongle which can be used to protect any customer application software being copied. This allows the possibility of using the USB-RS232 cables as a dongle for software licensing. Further to this, a renewable license scheme can be implemented based on the FTDICHIP-ID™ number when encrypted with other information. This encrypted number can be stored in the user area of the FT232R internal EEPROM, and can be decrypted, then compared with the protected FTDICHIP-ID™ to verify that a license is valid. Web based applications can be used to maintain product licensing this way. An application note, AN232R-02, available from FTDI website ([www.ftdichip.com](http://www.ftdichip.com)) describes this feature.

**Improved EMI Performance.** The USB-RS232 cables are FCC and CE certified.

**Extended Operating Temperature Range -** The USB-RS232 cables are capable of operating over an extended temperature range of -40° to +85° C thus allowing them to be used in automotive or industrial applications.

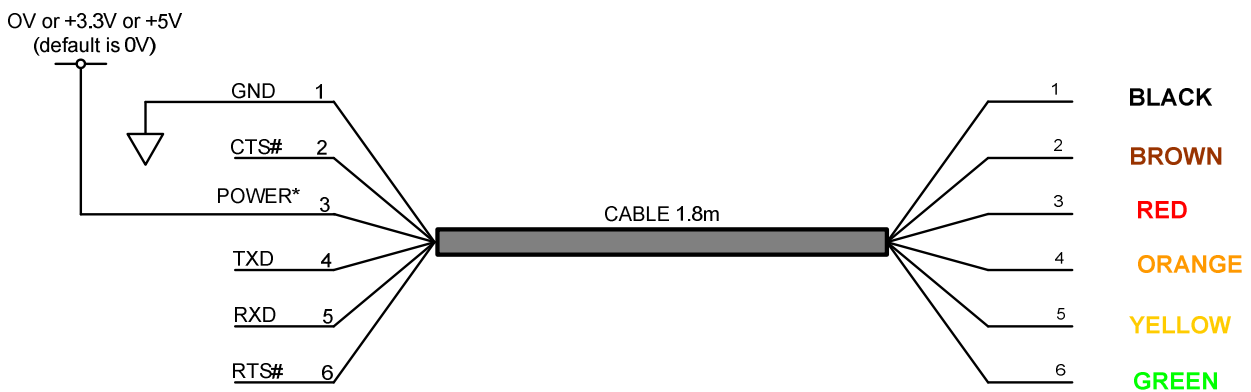
## 5 USB-RS232-WE-LLLL-CU-PWR

The USB-RS232-WE cable is un-terminated; it has bare and tinned wires.

The LLLL specifies the length of the cable in cm. The CU specifies the colour of the cable and the colour of the USB connector. The cable can be either Black or transparent. The USB connector can either be black or transparent. For simplicity, the LLLL and CU have been dropped from the following descriptions.

### 5.1 USB-RS232-WE-PWR Connections and Mechanical Details

The following Figure 5.1 shows the cable signals and the wire colours for the signals on the USB-RS232-WE cable.



POWER\* - default is GND, but can be manufactured to provide +3.3V or +5V

Figure 5.1 USB-RS232-WE Connections

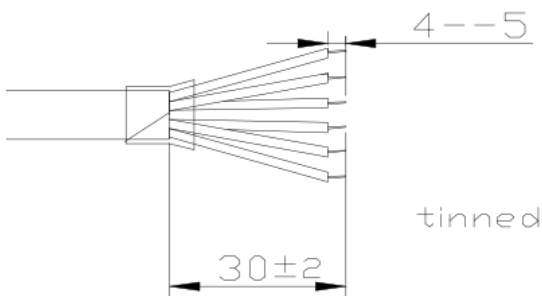


Figure 5.2 USB-RS232-WE Mechanical Details (dimensions in mm)

## 5.2 USB-RS232-WE Cable Signal Descriptions

Colour	Name	Type	Description
Black	GND	GND	Device ground supply pin.
Brown	CTS#	Input	Clear to Send Control input / Handshake signal.
Red	POWER	Output	Power output. Default is GND, but can be customised to output +3.3V or +5V. If required, contact FTDI Sales Team (sales1@ftdichip.com)
Orange	TXD	Output	Transmit Asynchronous Data output.
Yellow	RXD	Input	Receive Asynchronous Data input.
Green	RTS#	Output	Request To Send Control Output / Handshake signal.

**Table 5.1 USB-RS232-WE Cable Signal Descriptions**

## 5.3 USB-RS232-WE Electrical Parameters

Parameter	Description	Minimum	Typical	Maximum	Units	Conditions
VCC_5V	Output Power Voltage*	4.25	5.0*	5.25	V	*Default is GND. This figure only applies when cable has been customised to output +5V. The range is dependent on the USB port that the USB-RS232-WE is connected to
VCC_3.3V	Output Power Voltage**	3.2	3.3**	3.4	V	**Default is GND. This figure only applies when cable has been customised to output +3.3V.
I <sub>o</sub>	Output Power Current***	-		75	mA	***Only applies when POWER output is customised to +5V or +3.3V  Must be less than 2.5mA during suspend.
T	Operating Temperature Range	-40		+85	°C	

**Table 5.2 USB-RS232-WE I/O Operating Parameters**

Parameter	Description	Minimum	Typical	Maximum	Units	Conditions
Vtrans	Transmitter output voltage swing	+/- 5	+/- 6.5	+/- 15	V	
Vrec	Receiver input voltage range	-25		+25	V	

**Table 5.3 USB-RS232-WE I/O Pin Characteristics**

Description	Conditions	Minimum	Typical	Maximum
ESD HBM	RS-232 Inputs and Outputs		±15 kV	
EN61000-4-2ContactDischarge	RS-232 Inputs and Outputs		±8 kV	
EN61000-4-2AirGapDischarge	RS-232 Inputs and Outputs		±15 kV	

**Table 5.4 USB-RS232-WE ESD Tolerance**

## 6 Cable PCB Circuit Schematic

The circuit schematic for the small internal electronic circuit board, utilising the FTDI FT232R, which is encapsulated into the USB connector end of the cable, is shown in Figure 6.1.

Customised versions of the cable are also available. Users interested in customised versions of these cables should contact FTDI sales (sales1@ftdichip.com).

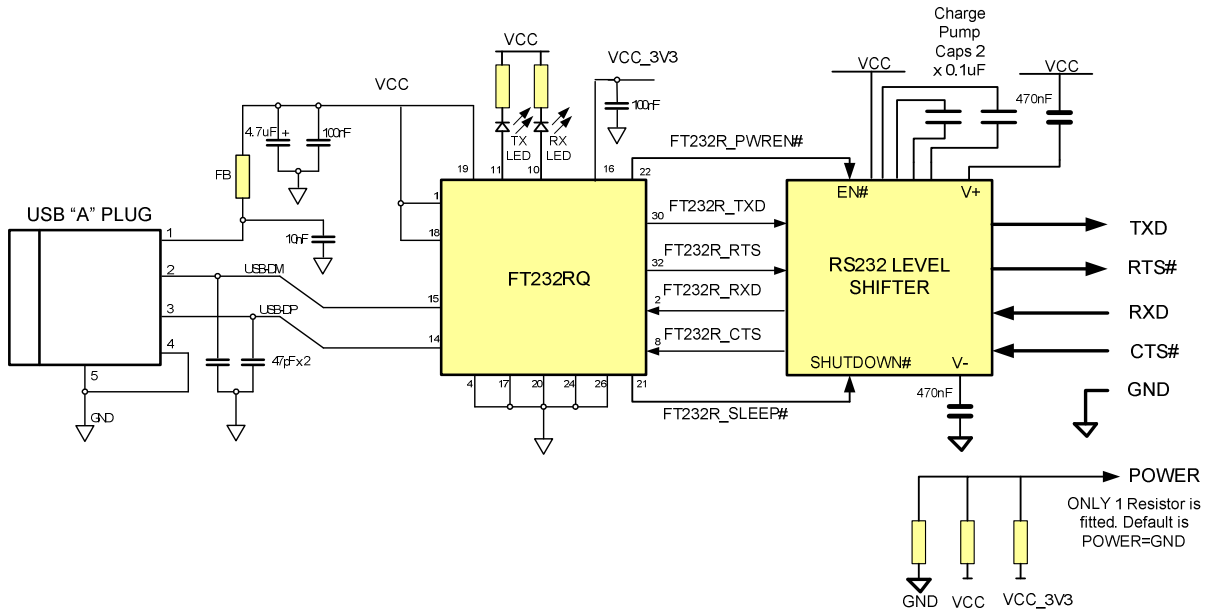


Figure 6.1 Circuit Schematic of PCB Used in the USB to RS232 Serial Converter Cable

---

## 7 Contact Information

### Head Office – Glasgow, UK

Future Technology Devices International Limited  
Unit 1, 2 Seaward Place, Centurion Business Park  
Glasgow G41 1HH  
United Kingdom  
Tel: +44 (0) 141 429 2777  
Fax: +44 (0) 141 429 2758

E-mail (Sales) sales1@ftdichip.com  
E-mail (Support) support1@ftdichip.com  
E-mail (General Enquiries) admin1@ftdichip.com  
Web Site URL <http://www.ftdichip.com>  
Web Shop URL <http://www.ftdichip.com>

### Branch Office – Taipei, Taiwan

Future Technology Devices International Limited (Taiwan)  
2F, No. 516, Sec. 1, NeiHu Road  
Taipei 114  
Taiwan, R.O.C.  
Tel: +886 (0) 2 8797 1330  
Fax: +886 (0) 2 8751 9737

E-mail (Sales) tw.sales1@ftdichip.com  
E-mail (Support) tw.support1@ftdichip.com  
E-mail (General Enquiries) tw.admin1@ftdichip.com  
Web Site URL <http://www.ftdichip.com>

### Branch Office – Hillsboro, Oregon, USA

Future Technology Devices International Limited (USA)  
7235 NW Evergreen Parkway, Suite 600  
Hillsboro, OR 97123-5803  
USA  
Tel: +1 (503) 547 0988  
Fax: +1 (503) 547 0987

E-Mail (Sales) us.sales@ftdichip.com  
E-Mail (Support) us.admin@ftdichip.com  
Web Site URL <http://www.ftdichip.com>

### Branch Office – Shanghai, China

Future Technology Devices International Limited (China)  
Room 408, 317 Xianxia Road,  
ChangNing District,  
ShangHai, China

Tel: +86 (21) 62351596  
Fax: +86(21) 62351595

E-Mail (Sales): cn.sales@ftdichip.com  
E-Mail (Support): cn.support@ftdichip.com  
E-Mail (General Enquiries): cn.admin1@ftdichip.com

Web Site URL: <http://www.ftdichip.com>

### Distributor and Sales Representatives

Please visit the Sales Network page of the FTDI Web site for the contact details of our distributor(s) and sales representative(s) in your country.

## Appendix A - Cable EEPROM Configuration

Each USB-RS232 cable is controlled by the FTDI FT232R IC. This FT232R device contains an EEPROM which contains the USB configuration descriptors for that device. When the cable is plugged into a PC or a USB reset is performed, the PC will read these descriptors. The default values stored into the internal EEPROM are defined in Table 0.1

Parameter	Value	Notes
USB Vendor ID (VID)	0403h	FTDI default VID (hex)
USB Product ID (PID)	6001h	FTDI default PID (hex)
Serial Number Enabled?	Yes	
Serial Number	See Note	A unique serial number is generated and programmed into the EEPROM during device final test.
Pull down I/O Pins in USB Suspend	Disabled	Enabling this option will make the device pull down on the UART interface lines when the power is shut off (PWREN# is high).
Manufacturer Name	FTDI	
Product Description	See note	USB-RS232-WE
Max Bus Power Current	90mA	
Power Source	Bus Powered	
Device Type	FT232R	
USB Version	0200	Returns USB 2.0 device description to the host. Note: The device is a USB 2.0 Full Speed device (12Mb/s) as opposed to a USB 2.0 High Speed device (480Mb/s).
Remote Wake Up	Disabled	
High Current I/Os	Enabled	Enables the high drive level on the UART and CBUS I/O pins.
Load VCP Driver	Enabled	Makes the device load the VCP driver interface for the device.
Invert TXD	Disabled	Signal on this pin becomes TXD# if enable.
Invert RXD	Disabled	Signal on this pin becomes RXD# if enable.
Invert RTS#	Disabled	Signal on this pin becomes RTS if enable.
Invert CTS#	Disabled	Signal on this pin becomes CTS if enable.

**Table 0.1 Default Internal EEPROM Configuration**

The internal EEPROM in the cable can be re-programmed over USB using the utility program MPROG. MPROG can be downloaded from the [www.ftdichip.com](http://www.ftdichip.com). Version 2.8a or later is required for the FT232R chip. Users who do not have their own USB Vendor ID but who would like to use a unique Product ID in their design can apply to FTDI for a free block of unique PIDs. Contact FTDI support for this service.

---

## Appendix B - List of Figures and Tables

### List of Figures

Figure 1.1 Using the USB-RS232 Cable.....	1
Figure 5.1 USB-RS232-WE Connections .....	7
Figure 5.2 USB-RS232-WE Mechanical Details (dimensions in mm) .....	7
Figure 6.1 Circuit Schematic of PCB Used in the USB to RS232 Serial Converter Cable.....	10

### List of Tables

Table 1.1 USB-RS232 Cables Descriptions and Part Numbers.....	2
Table 5.1 USB-RS232-WE Cable Signal Descriptions .....	8
Table 5.2 USB-RS232-WE I/O Operating Parameters.....	8
Table 5.3 USB-RS232-WE I/O Pin Characteristics .....	9
Table 5.4 USB-RS232-WE ESD Tolerance .....	9
Table 0.1 Default Internal EEPROM Configuration.....	12

---

## Appendix C - Revision History

Version Draft	First Draft	Aug 2008
Version 1.0	First Release	September 12 <sup>th</sup> 2008
Version 1.1	Update to Taiwan address	October 1 <sup>st</sup> 2008
Version 1.2	Update to UK and TW address	February 11 <sup>th</sup> 2009
	Changed front sheet picture.	
	Added additional part numbers	